



Prevista Dry Bidet element 1120 mm

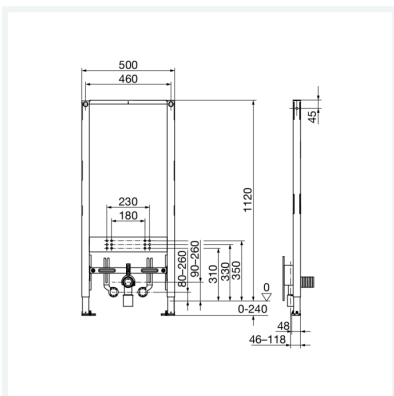
- for wall-hung bidet
- for pre-wall mounting please order separately: Prevista Dry Fixing set model 8570.66
- integration in Prevista Dry Plus

Components

powder-coated frame (40x40), fixing height-adjustable, cuttable waste elbow DN40/50, rubber nipple DN50/30, fixing material, lockable foot for adjusting the construction height

Model 8568

Article 776 442



Properties

Max.load	Max. load	400 kg
Max. projection	700 mm	
Construction height	CH	1120
Width	B	500
Weight	9841 g	
Volume	45492 cm ³	
Material	steel	